



## Quick Start Guide

V1.0

# VISTA

Thermal Imaging  
Monocular

VISTA H35 / VISTA H50 / VISTA H35R / VISTA H50R



**EN**

**Please read this manual before using the product, and keep the guide for future reference.**

For detailed information about the device, please download the complete user manual from the official website ([www.nocpix.com](http://www.nocpix.com)).

**DE**

**Bitte lesen Sie dieses Handbuch sorgfältig durch, bevor Sie dieses Produkt verwenden, und bewahren Sie es zum späteren Nachschlagen gut auf.**

Ausführliche Informationen über das Gerät finden Sie im vollständigen Benutzerhandbuch, das Sie von der offiziellen Website ([www.nocpix.com](http://www.nocpix.com)) herunterladen können.

**IT**

**Si prega di leggere questa guida prima di utilizzare il prodotto e conservarla per riferimento futuro.**

Per informazioni dettagliate sul dispositivo, si prega di scaricare il manuale d'uso completo dal sito ufficiale ([www.nocpix.com](http://www.nocpix.com)).

**FR**

**Veillez consulter ce guide avant d'utiliser le produit et gardez-le pour vous y référer ultérieurement.**

Pour plus d'informations sur l'appareil, veuillez télécharger le manuel d'utilisation complet sur le site officiel ([www.nocpix.com](http://www.nocpix.com)).

**ES**

**Lea este manual antes de usar el producto y conserve la guía para referencia futura.**

Para obtener información detallada sobre el dispositivo, descargue el manual de usuario completo del sitio web oficial ([www.nocpix.com](http://www.nocpix.com)).

# Important Safety Information

## Environmental influences

Never point the lens of the device directly at intense heat sources such as the sun or laser equipment. The objective lens and eyepiece can function as a burning glass and damage the interior components.

## Risk of swallowing

Do not place this device in the hands of small children. Incorrect handling can cause small parts to come loose which may be swallowed.

## Safety instructions for use

- Handle the device with care: rough handling may damage the battery.
- Do not expose the device to fire or high temperatures.
- Install the batteries correctly according to the instruction on the device. Reverse connection is prohibited.
- The battery capacity decreases when operated in a cold ambient temperature. This is not a fault and occurs for technical reasons.
- Always store the device in a dry, well-ventilated space. For prolonged storage, remove the batteries.
- The recommended temperature for using this product is  $-20^{\circ}$  to  $+50^{\circ}$ . Otherwise, it will affect the service life of the product.
- Do not store the device for long periods at temperatures below  $20^{\circ}\text{C}$  or above  $50^{\circ}\text{C}$ , or this will permanently reduce the capacity of the battery.
- If the device has been damaged or the battery is defective, send the device to our after-sales service for repair.

## EU Compliance Statement

Wireless transmitter module frequency range:

WLAN: 2.412-2.472GHz (For EU)

Wireless transmitter module power < 20dBm (only for EU)



We, Inlumen Technologies Co., Ltd. hereby declares that the radio equipment types VISTA are in compliance with the Directives 2014/53/EU and 2011/65/EU.

### **Disposal of batteries**



2023/1542 (Battery Regulation): This product contains a battery that cannot be disposed of as unsorted municipal waste in the European Union.

For battery details, refer to the documentation of the specific product. The battery is marked with this symbol, which may include Cd (indicating cadmium), Pb (indicating lead), or Hg (indicating mercury). For proper recycling, please return the battery to your supplier or send it to a designated collection point. For more information, visit [www.recyclethis.info](http://www.recyclethis.info).

### **User information on the disposal of electrical and electronic devices (private households)**



2012/19/EU (WEEE directive): Products marked with this symbol cannot be disposed of as unsorted municipal waste in the European Union. For proper recycling, return this product to your local supplier

upon the purchase of equivalent new equipment, or dispose of it at designated collection points. For more information see: [www.recyclethis.info](http://www.recyclethis.info).

### **For business customers within the European Union**

Please contact your dealer or supplier regarding the disposal of electrical and electronic devices. He will provide you with further information.

### **Information on disposal in other countries outside of the European Union**

This symbol is only applicable in the European Union. Please contact your local authority or dealer if you wish to dispose of this product and ask for a disposal option.

## **Intended use**

The device is intended for displaying heat signatures during nature observation, remote hunting observations and for civil use. This device is not a toy for children.

Use the device only as described in this operating manual. The manufacturer and the dealer accept no liability for damages which arise due to non-intended or incorrect use.

## **Function test**

Before use, please ensure that your device has no visible damage.

Test to see if the device displays a clear, undisturbed image.

Check that the settings for the thermal imaging monocular are correct.

## **Installing/Removing the battery**

The VISTA series thermal imaging monocular need to install one battery pack for use. Refer to the section Battery Installation for details.

## **FCC Statement**

FCC ID: 2BHFB-3C-00

## **Labeling requirements**

This device complies with part 15 of the FCC Rules. Operation is subject to the following two conditions: (1) This device may not cause harmful interference, and (2) this device must accept any interference received, including interference that may cause undesired operation.

## **Information to the user**

Any Changes or modifications not expressly approved by the party responsible for compliance could void the user's authority to operate the equipment.

## EMC: Class A

Note: This equipment has been tested and found to comply with the limits for a Class A digital device, pursuant to part 15 of the FCC Rules. These limits are designed to provide reasonable protection against harmful interference when the equipment is operated in a commercial environment. This equipment generates, uses, and can radiate radio frequency energy and, if not installed and used in accordance with the instruction manual, may cause harmful interference to radio communications. Operation of this equipment in a residential area is likely to cause harmful interference in which case the user will be required to correct the interference at his own expense.

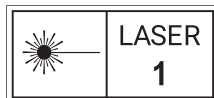
To comply with RF exposure requirements, a minimum separation distance of 0.00 cm must be maintained between the user's body and the handset, including the antenna.

## Laser Warning

VISTA H35R/VISTA H50R



**LASER APERTURE**



# VISTA Quick Start Guide



<b>EN</b>	Thermal imaging monocular	1-12
-----------	---------------------------	------

<b>DE</b>	Wärmebild-Monokularfernrohr	13-24
-----------	-----------------------------	-------

<b>IT</b>	Monocolo per immagini termiche	25-36
-----------	--------------------------------	-------

<b>FR</b>	Monoculaire d'imagerie thermique	37-48
-----------	----------------------------------	-------

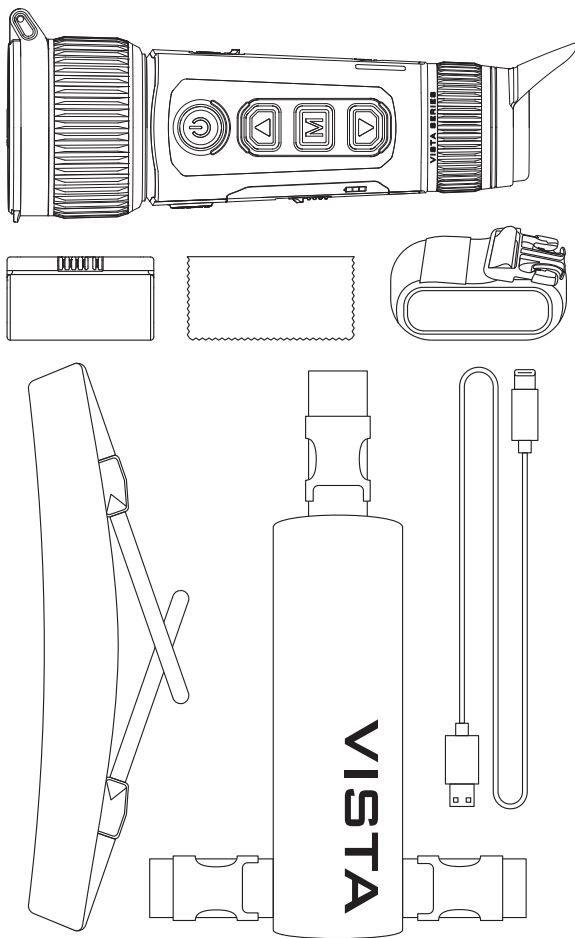
<b>ES</b>	Monocular de imagen térmica	49-60
-----------	-----------------------------	-------



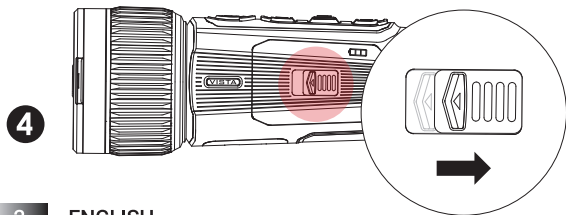
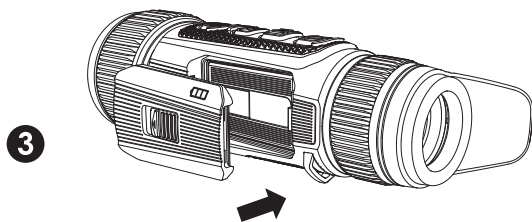
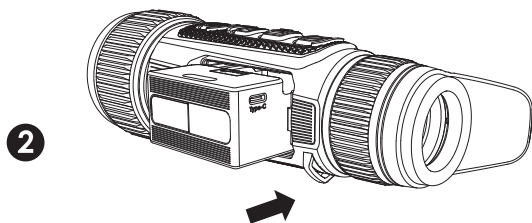
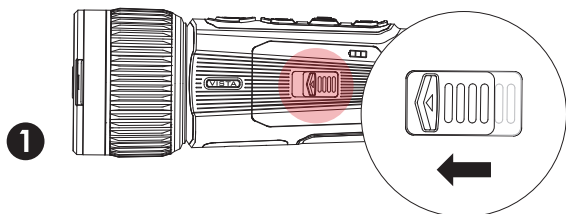
**RoHS**



# Accessories



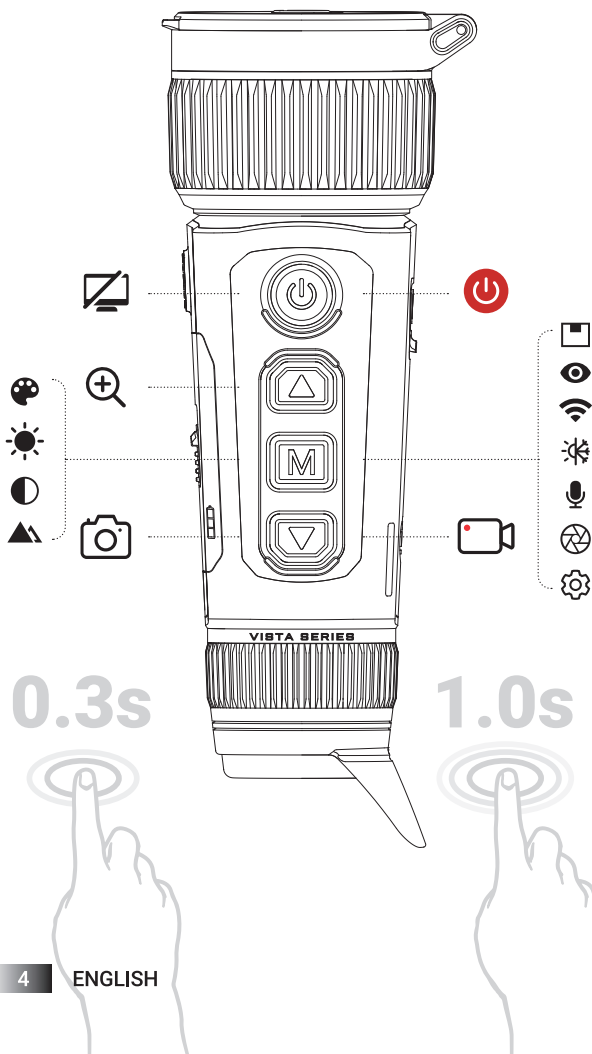
# Battery Install



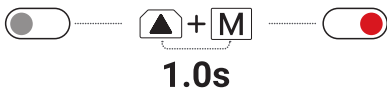


# Button Descriptions

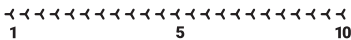
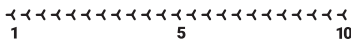
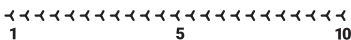
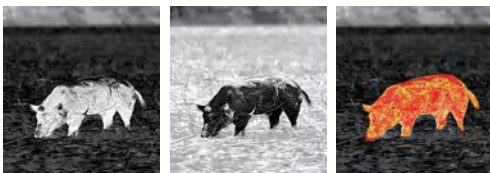
VISTA H35/VISTA H50



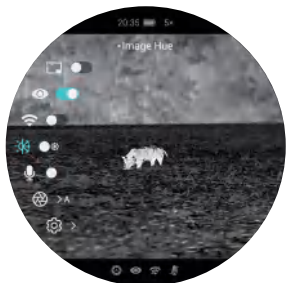
# Button Descriptions



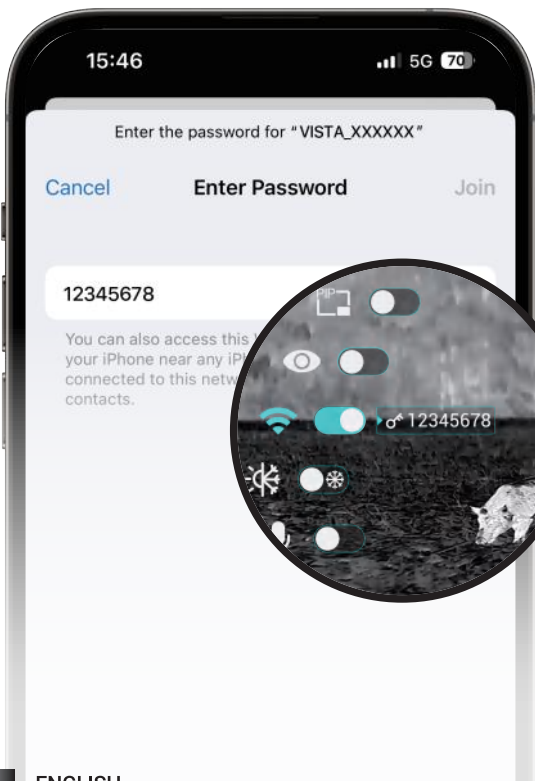
# Shortcut Menu



# | Main Menu



# | App



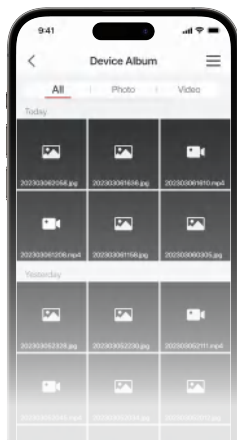




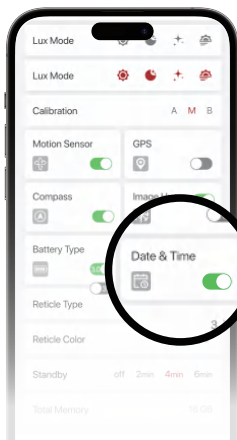
Firmware  
upgrade



Real-time image  
transmission



Device file



Date & Time  
calibration

# Specifications

Model	VISTA H35	VISTA H50
Thermal Sensor, Pixels	640×512,12μm	
NETD, mK	≤15	
Frame rate, Hz	60	
Objective lens, mm	35 F0.9	50 F0.9
Field of View (H×V), °/m at 100m	12.5×10.0/ 22×18	8.8×7.0/ 15×12
Magnification, ×	3~28	4~40
Detective range, m (Target size: 1.7m × 0.5m, P(n)=99%)	1800	2600
Exit relief, mm	25	
Exit pupil diameter, mm	8	
Diopter, D	-4 ~ +6	
Display	AMOLED 2560×2560	
Battery Type	Replaceable li-ion battery pack IBP-7/4400mAh	
Max. operation time, (t=22°C) h	5.5	
MIC	Support	
Memory capacity, GB	64	
IP rating	IP67	
Operating temperature, °C	-20 ~ +50	
Weight, g (with battery)	600	630
Dimension, mm	184×61×71	190×67×79

Model	VISTA H35R	VISTA H50R
Thermal Sensor, Pixels	640×512,12μm	
NETD, mK	≤15	
Frame rate, Hz	60	
Objective lens, mm	35 F0.9	50 F0.9
Field of View (H×V), °/m at 100m	12.5×10.0/ 22×18	8.8×7.0/ 15×12
Magnification, ×	3~28	4~40
Detective range, m (Target size: 1.7m × 0.5m, P(n)=99%)	1800	2600
Exit relief, mm	25	
Exit pupil diameter, mm	8	
Diopter, D	-4 ~ +6	
Display	AMOLED 2560×2560	
Battery Type	Replaceable li-ion battery pack IBP-7/4400mAh	
Max. operation time, (t=22°C) h	5.5	
Safety class for laser	Class 1	
Max.Rangefinder distance, m	1200	
MIC	Support	
Memory capacity, GB	64	
IP rating	IP67	
Operating temperature, °C	-20 ~ +50	
Weight, g (with battery)	640	650
Dimension, mm	190×67×79	194×70×82

## | Get More Information



Website:  
[www.nocpix.com](http://www.nocpix.com)



User manual



Facebook

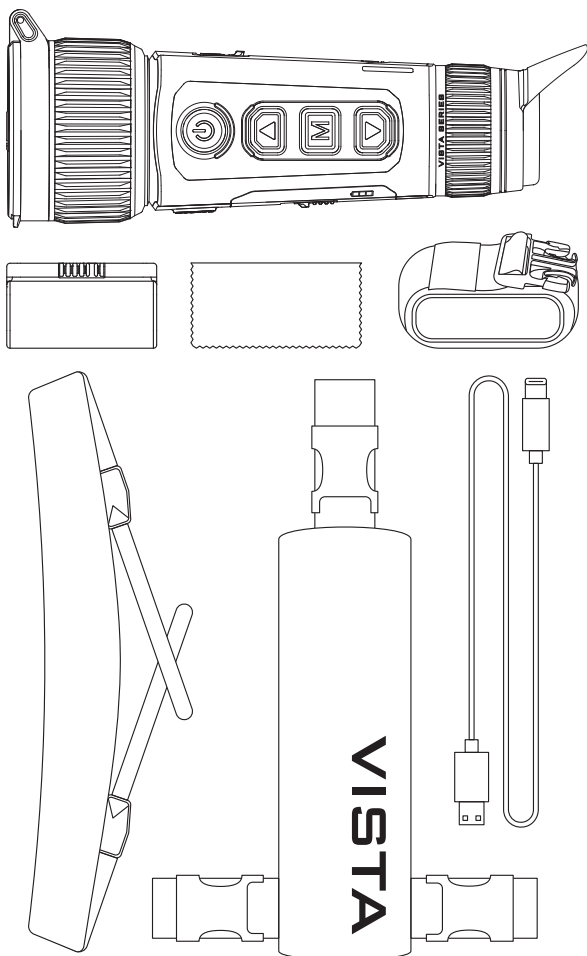


Instagram

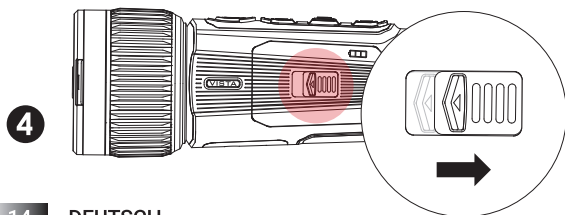
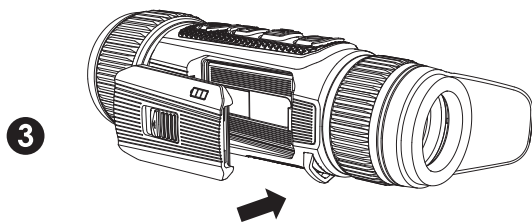
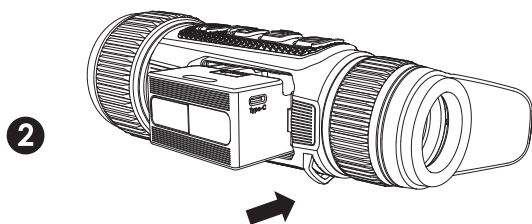
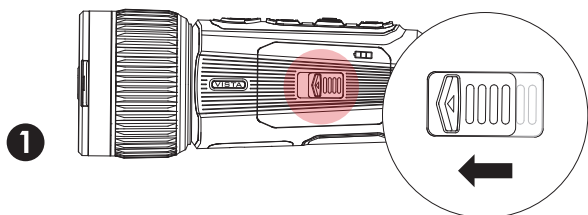


YouTube

## Zubehör

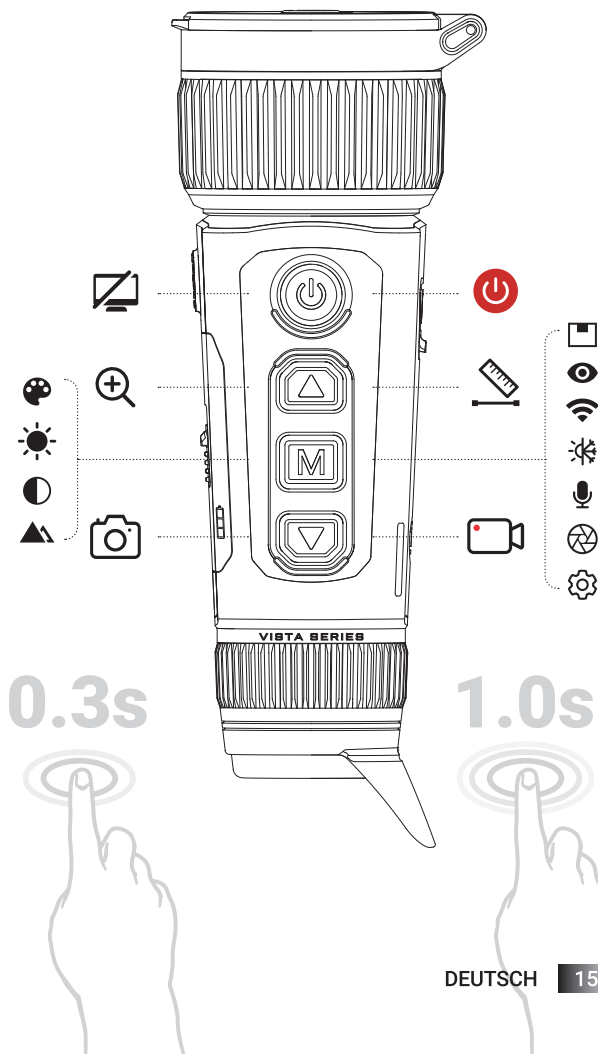


# Batterie Installieren



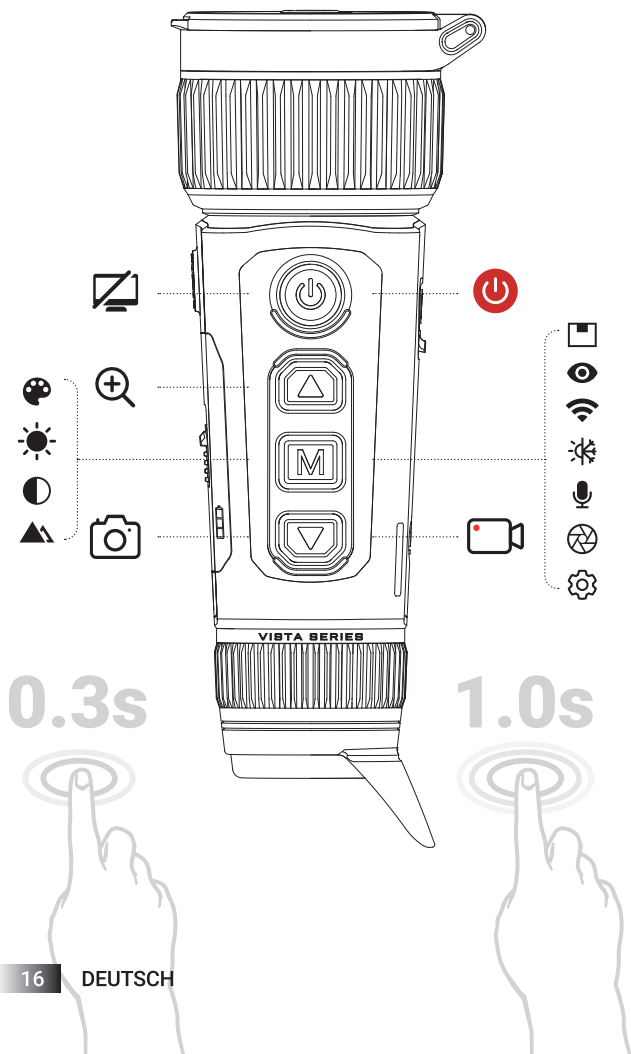
# Schlüsselbeschreibung

VISTA H35R/VISTA H50R



# Schlüsselbeschreibung

VISTA H35/VISTA H50

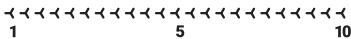
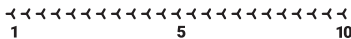
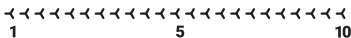
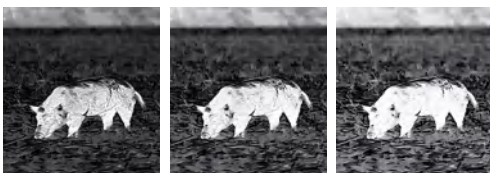




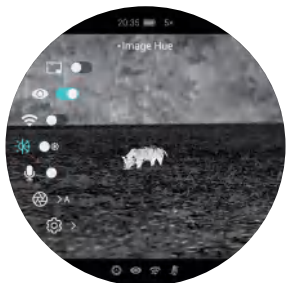
# Schlüsselbeschreibung



# Kontextmenü



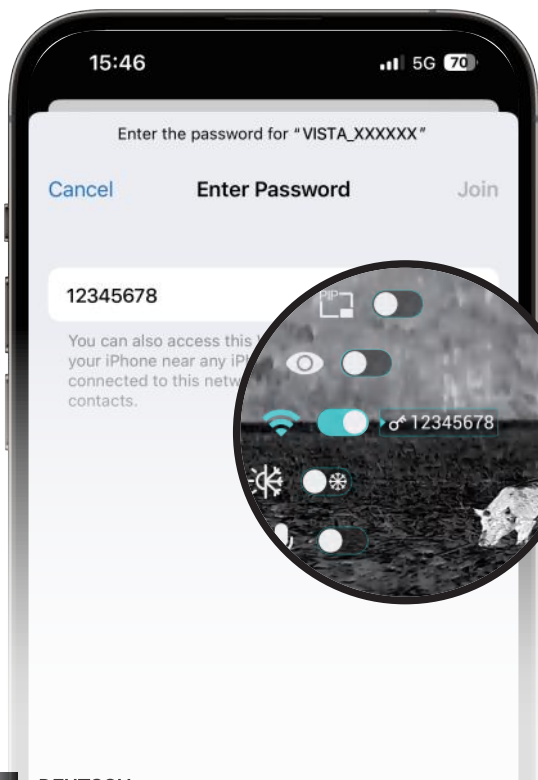
# Hauptmenü

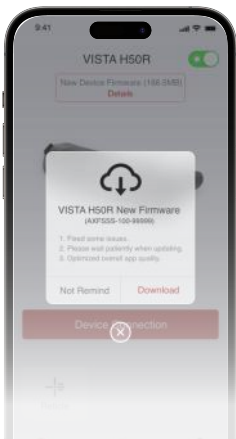



Zeigen

Verbergen


# |App

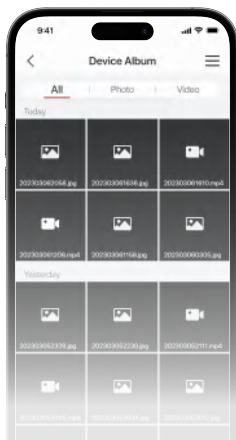




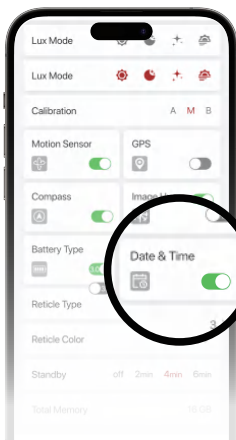
 Firmware-Upgrade



 Bildübertragung  
in Echtzeit



 Gerätedatei



 Kalibrierung von  
Datum und Uhrzeit

# Spezifikationen

Modul	VISTA H35	VISTA H50
Wärmesensor, Pixels	640×512,12µm	
NETD, mK	≤15	
Bildrate, Hz	60	
Objektivlinse, mm	35 F0.9	50 F0.9
Sichtfeld, °/m bei 100m	12.5×10.0/ 22×18	8.8×7.0/ 15×12
Vergrößerung, x	3~28	4~40
Detektionsbereich, m (Zielgröße: 1.7m×0,5m,P(n)=99%)	1800	2600
Abstand der Austrittspupille, mm	25	
Durchmesser der Austrittspupille, mm	8	
Dioptrien, D	-4 ~ +6	
Display	AMOLED 2560×2560	
Batterie typ	Austauschbarer Li-Ionen Akku IBP-7/4400 mAh	
Max. Batterie Lebensdauer (t=22°C), h	5.5	
Mikrofon	Unterstützt	
Eingebaute Speichergröße, GB	64	
IP-Bewertung	IP67	
Betriebstemperatur, °C	-20 ~ +50	
Gewicht, g (mit Batterie)	600	630
Abmessung, mm	184×61×71	190×67×79

<b>Modul</b>	<b>VISTA H35R</b>	<b>VISTA H50R</b>
Wärmesensor, Pixels	640×512,12µm	
NETD, mK	≤15	
Bildrate, Hz	60	
Objektivlinse, mm	35 F0.9	50 F0.9
Sichtfeld, °/m bei 100m	12.5×10.0/ 22×18	8.8×7.0/ 15×12
Vergrößerung, x	3~28	4~40
Detektionsbereich, m (Zielgröße: 1.7m×0,5m,P(n)=99%)	1800	2600
Abstand der Austrittspupille, mm	25	
Durchmesser der Austrittspupille, mm	8	
Dioptrien, D	-4 ~ +6	
Display Spezifikationen	AMOLED 2560×2560	
Batterie typ	Austauschbarer Li-Ionen Akku IBP-7/4400 mAh	
Max. Batterielebensdauer(t=22°C), h	5.5	
Sicherheitsklasse für Laser	Class 1	
Max. Entfernung des Entfernungsmessers, m	1200	
Mikrofon	Unterstützt	
Eingebaute Speichergröße, GB	64	
IP-Bewertung	IP67	
Betriebstemperatur, °C	-20 ~ +50	
Gewicht, g (mit Batterie)	640	650
Abmessung, mm	190×67×79	194×70×82

## Mehr Informationen bekommen



Webseite:  
[www.nocpix.com](http://www.nocpix.com)



Benutzerhandbuch



Facebook



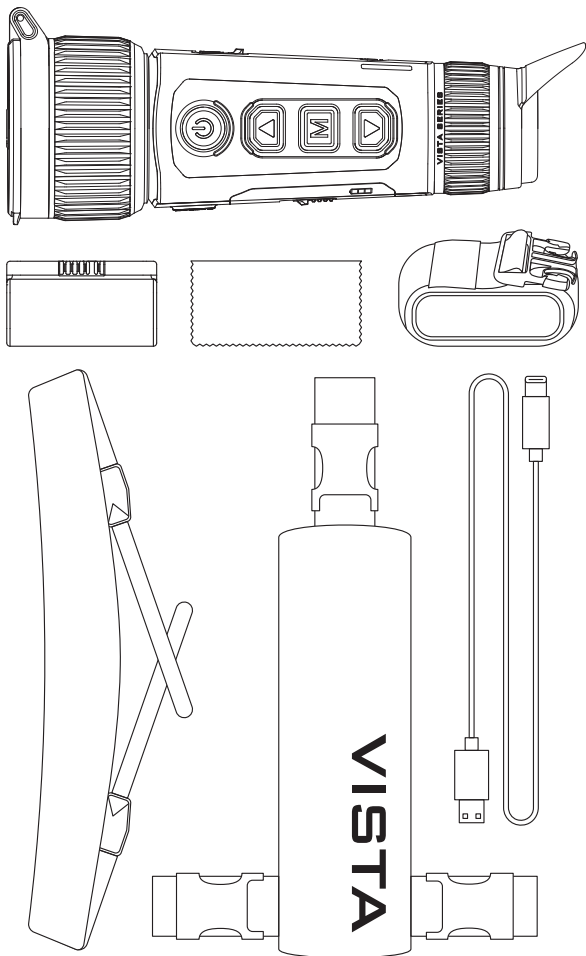
Instagram



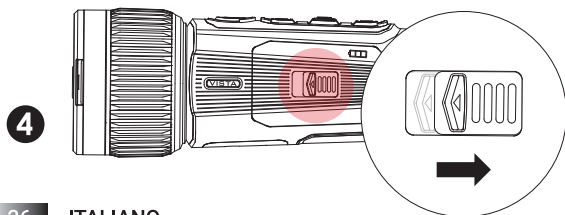
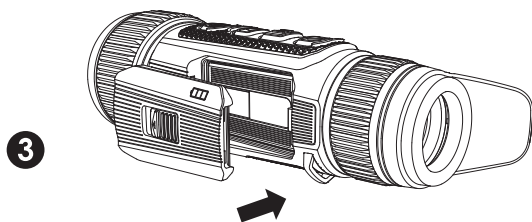
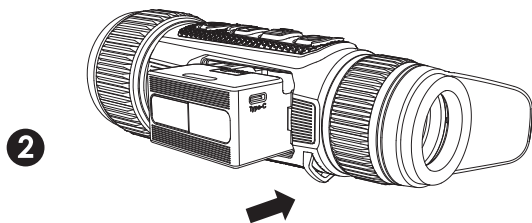
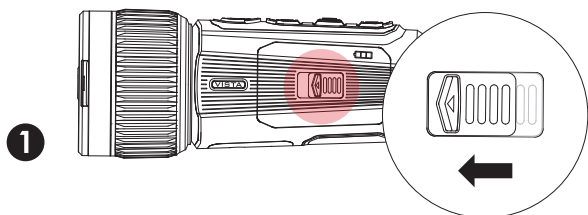
YouTube



## | Accessori

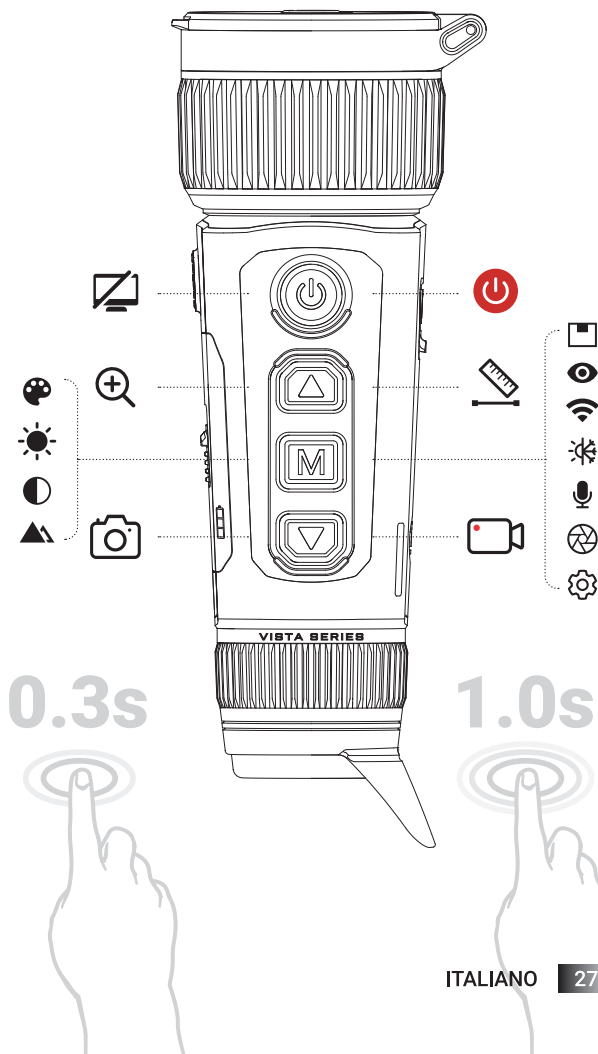


## Installazione della batteria



# Descrizioni dei pulsanti

VISTA H35R/VISTA H50R

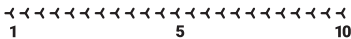
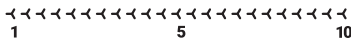
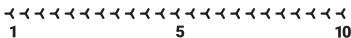
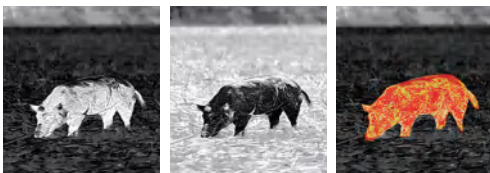




## Descrizioni dei pulsanti



# Menu di scelta rapida



# Menu principale

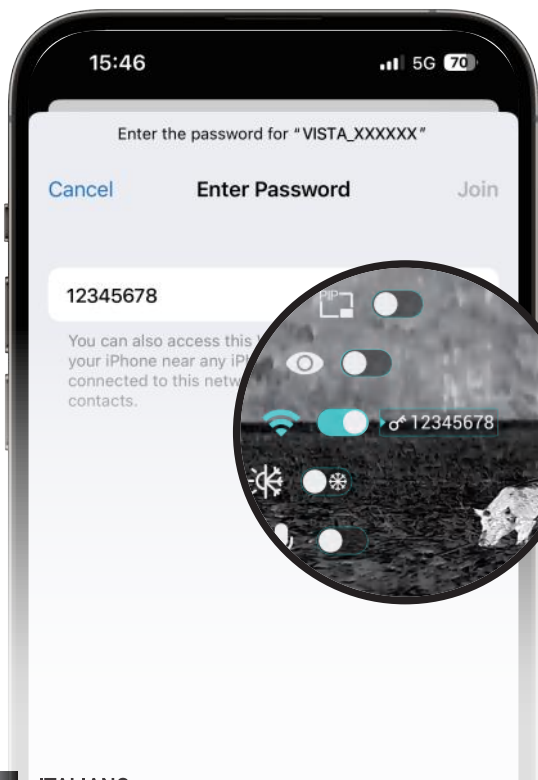


Mostra

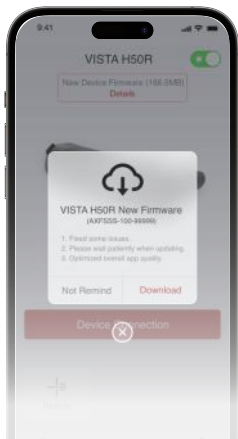


Nascondere

# | App



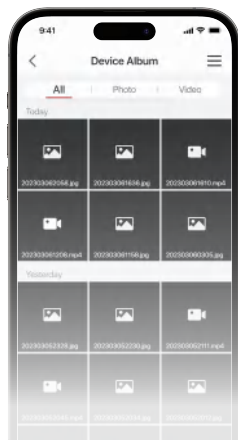




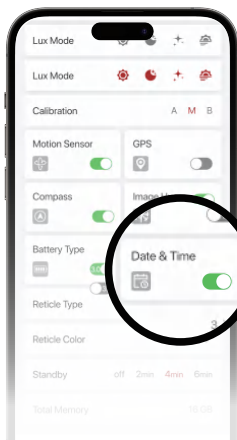
Aggiornamento  
del firmware



Trasmissione delle  
immagini in tempo reale



File del dispositivo



Calibrazione di  
data e ora

# Specifiche

Modello	VISTA H35	VISTA H50
Sensore termico, Pixels	640×512, 12µm	
NETD, mK	≤15	
Frequenza deifotogrammi, Hz	60	
Lente dell'obiettivo, mm	35 F0.9	50 F0.9
Campo visivo, °/m a 100 m	12.5×10.0/ 22×18	8.8×7.0/ 15×12
Ingrandimento, x	3~28	4~40
Campo di Rilevamento, m (Dimensione del bersaglio: 1.7 m x 0.5m, P(n)= 99%)	1800	2600
Distanza interoculare, mm	25	
Diametro della Pupilla d'uscita, mm	8	
Diottria, D	-4 ~ +6	
Display	AMOLED 2560×2560	
Batteria	Batteria sostituibile agli ioni di litio IBP-7/ 4400 mAh	
Durata della batteria massima (t=22°C), h	5.5	
microfono	Supporta	
Quantità di memoria incorporata, GB	64	
Grado di protezione IP	IP67	
Temperatura di Funzionamento, °C	-20 ~ +50	
Peso, g (con batteria)	600	630
Dimensione, mm	184×61×71	190×67×79

<b>Modello</b>	<b>VISTA H35R</b>	<b>VISTA H50R</b>
Sensore termico, Pixels	640×512,12µm	
NETD, mK	≤15	
Frequenza deifotogrammi, Hz	60	
Lente dell'obiettivo, mm	35 F0.9	50 F0.9
Campo visivo,°/m a 100 m	12.5×10.0/ 22×18	8.8×7.0/ 15×12
Ingrandimento,x	3~28	4~40
Campo di Rilevamento,m(Dimensione delbersaglio: 1.7 m x 0.5m, P(n)= 99%)	1800	2600
Distanza interoculare, mm	25	
Diametro della Pupilla d'uscita, mm	8	
Diottria, D	-4 ~ +6	
Display	AMOLED 2560×2560	
Batteria	Batteria sostituibile agli ioni di litio IBP-7/ 4400 mAh	
Durata della batteriamassima (t=22°C), h	5.5	
Classe di sicurezza per laser	Class 1	
Distanza massima del telemetro, m	1200	
microfono	Supporta	
Quantità di memoriaincorporata, GB	64	
Grado di protezione IP	IP67	
Temperatura diFunzionamento, °C	-20 ~ +50	
Peso, g (con batteria)	640	650
Dimensione, mm	190×67×79	194×70×82

# Otteni maggiori informazioni



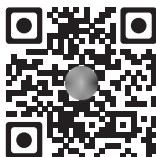
Sito web:  
[www.nocpix.com](http://www.nocpix.com)



Manuale d'uso



Facebook

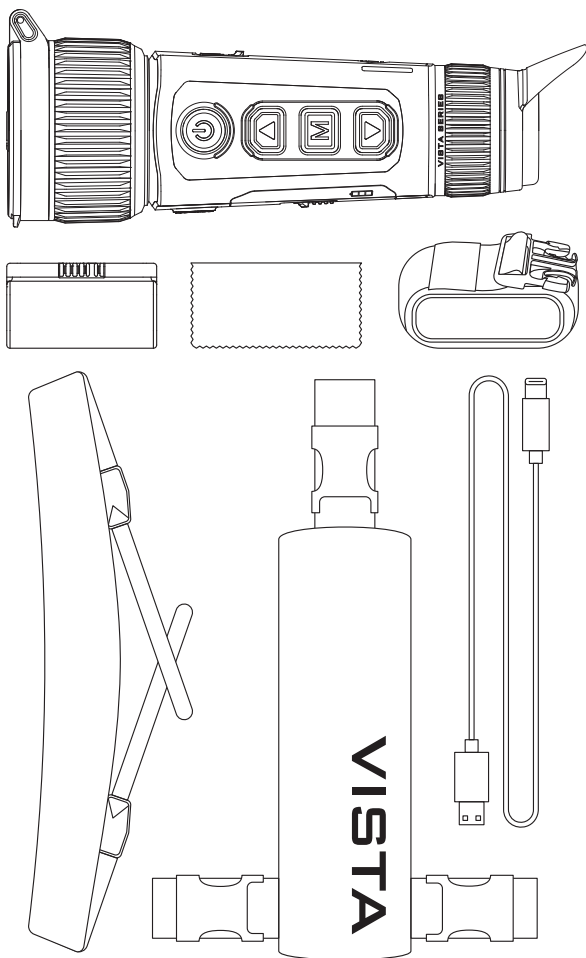


Instagram

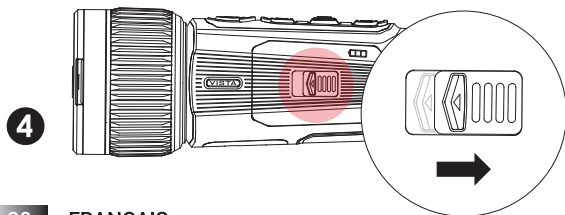
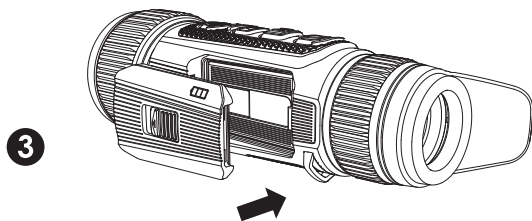
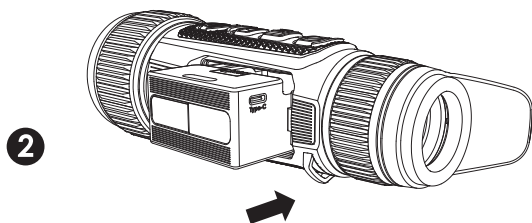
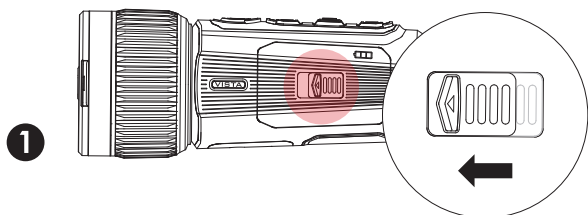


YouTube

## | Accessoires

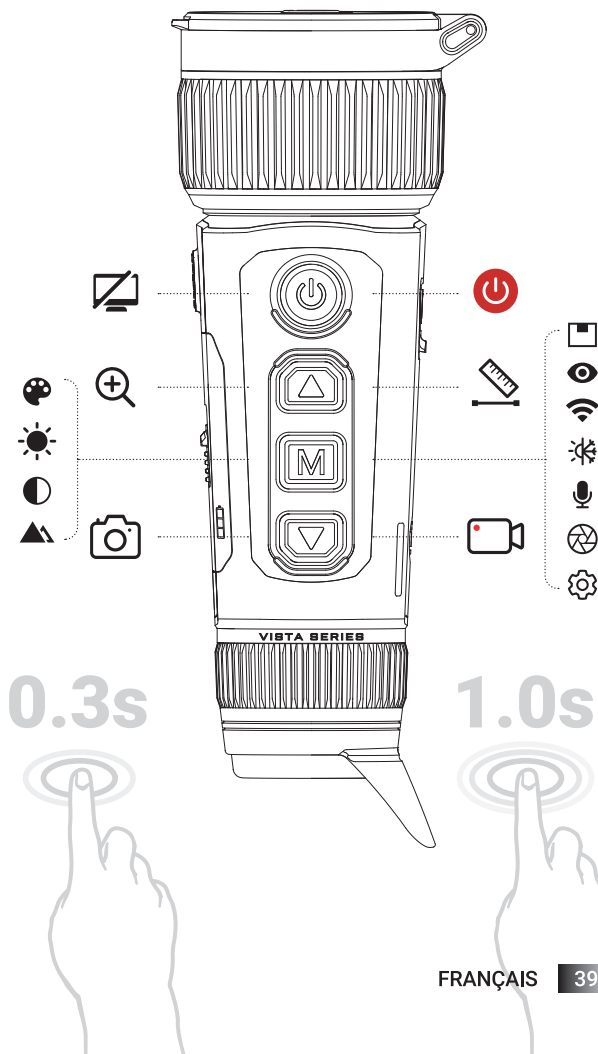


# Installation de la batterie



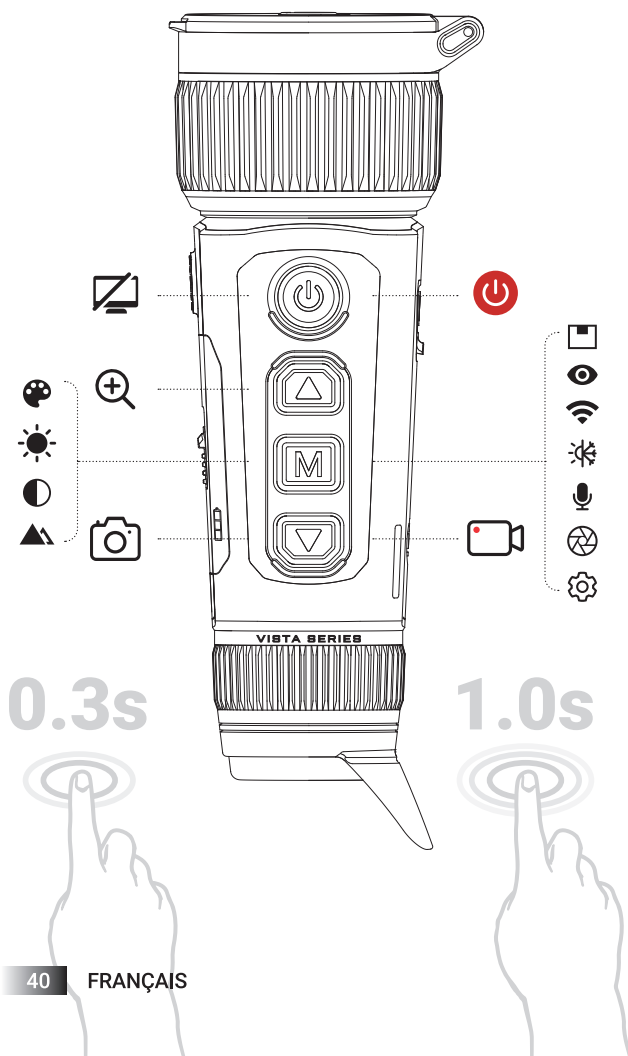
# Description des boutons

VISTA H35R/VISTA H50R



# Description des boutons

VISTA H35/VISTA H50

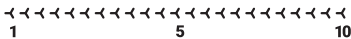
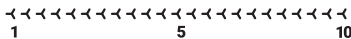
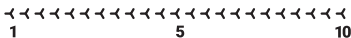
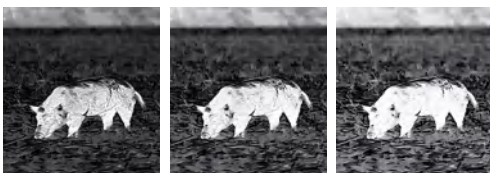




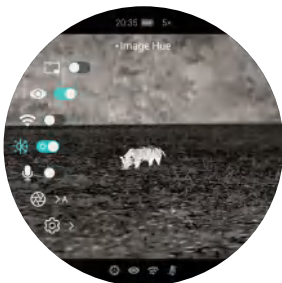
# Description des boutons



# Menu des raccourcis



# Menu principal



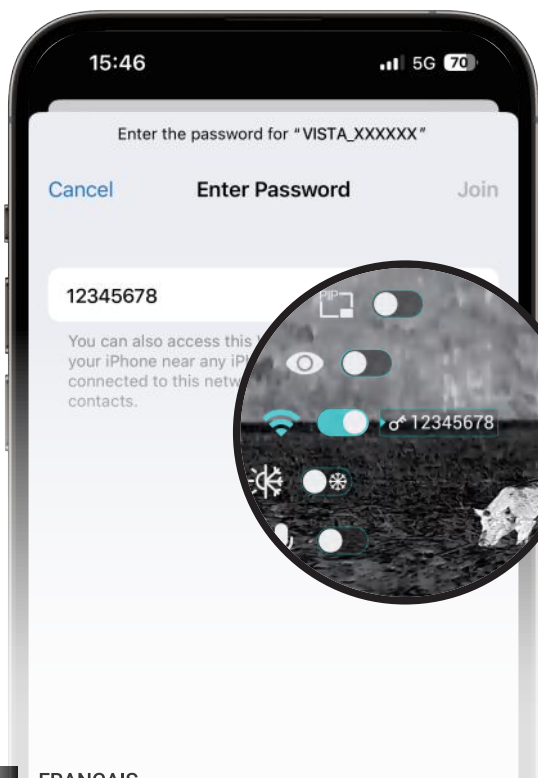
Afficher



Masquer

# | App

🔍 NOCPIX

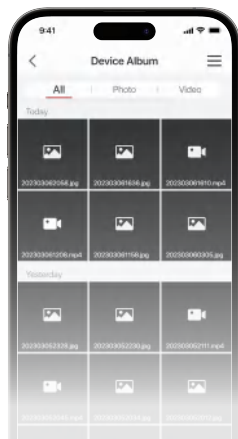




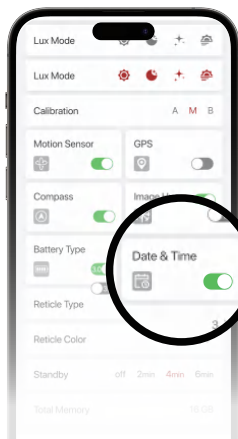
Mise à jour  
du firmware



Transmission d'images  
en temps réel



Fichier de  
périphérique



Calibrage de la  
date et de l'heure

# Spécifications

Modèle	VISTA H35	VISTA H50
Capteur thermique, Pixels	640×512,12µm	
NETD, mK	≤15	
Fréquence des frames, Hz	60	
Objectif principal, mm	35 F0.9	50 F0.9
Champ de vision, °/m à 100m	12.5×10.0/ 22×18	8.8×7.0/ 15×12
Grossissement, x	3~28	4~40
Portée de détection, m (taille de la cible: 1.7 m x 0.5 m, P(n) =99%)	1800	2600
Distanza interoculare. mm	25	
Diamètre de la pupille de sortie. mm	8	
Dioptrie, D	-4 ~ +6	
Écran	AMOLED 2560×2560	
Type de batterie	Batterie Li-ion remplaçable IBP-7/4400 mAh	
Autonomie maximale de la batterie (t=22°C), h	5.5	
Microphone	Support	
Capacité de la mémoire intégrée, Go	64	
Indice IP	IP67	
Température de fonctionnement. °C	-20 ~ +50	
Poids, g (avec batterie)	600	630
Dimensions, mm	184×61×71	190×67×79

<b>Modèle</b>	<b>VISTA H35R</b>	<b>VISTA H50R</b>
Capteur thermique, Pixels	640×512, 12µm	
NETD, mK	≤15	
Fréquence des frames, Hz	60	
Objectif principal, mm	35 F0.9	50 F0.9
Champ de vision, °/m à 100m	12.5×10.0/ 22×18	8.8×7.0/ 15×12
Grossissement, x	3~28	4~40
Portée de détection, m (taille de la cible: 1.7 m x 0.5 m, P(n) =99%)	1800	2600
Distanza interoculare. mm	25	
Diamètre de la pupille de sortie. mm	8	
Dioptrie, D	-4 ~ +6	
Écran	AMOLED 2560×2560	
Type de batterie	Batterie Li-ion remplaçable IBP-7/4400 mAh	
Autonomie maximale de la batterie (t=22°C), h	5.5	
Classe de sécurité pour le laser	Class 1	
Distance maximale du télémètre, m	1200	
Microphone	Support	
Capacité de la mémoire intégrée, Go	64	
Indice IP	IP67	
Température de fonctionnement. °C	-20 ~ +50	
Poids, g (avec batterie)	640	650
Dimensions, mm	190×67×79	194×70×82

# Obtenir plus d'informations



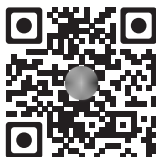
Site web:  
[www.nocpix.com](http://www.nocpix.com)



Manuel de l'Utilisateur



Facebook



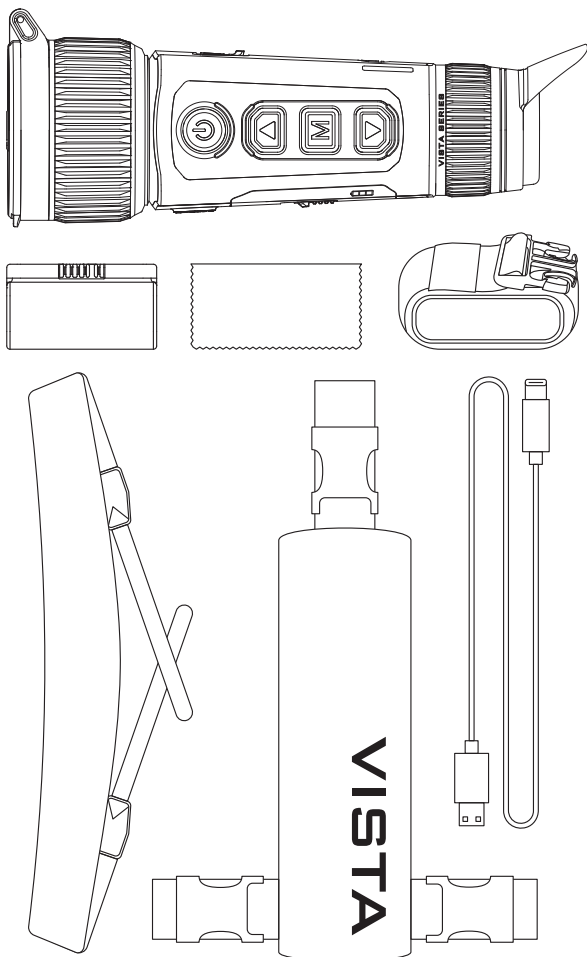
Instagram



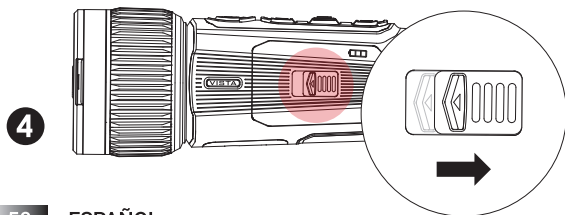
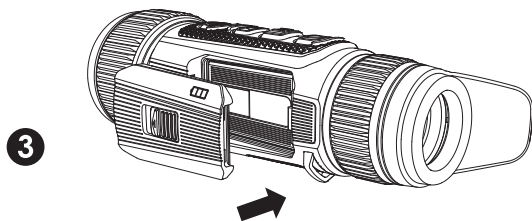
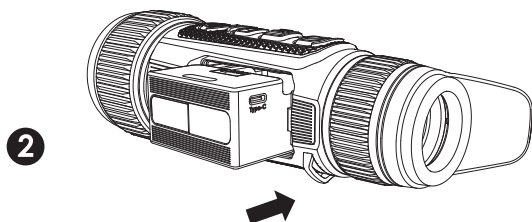
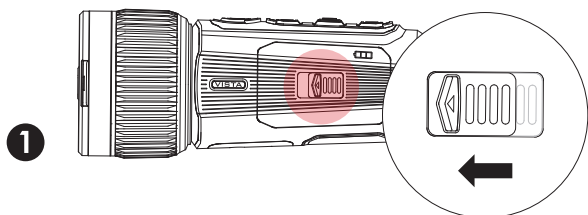
YouTube



## | Accesorios

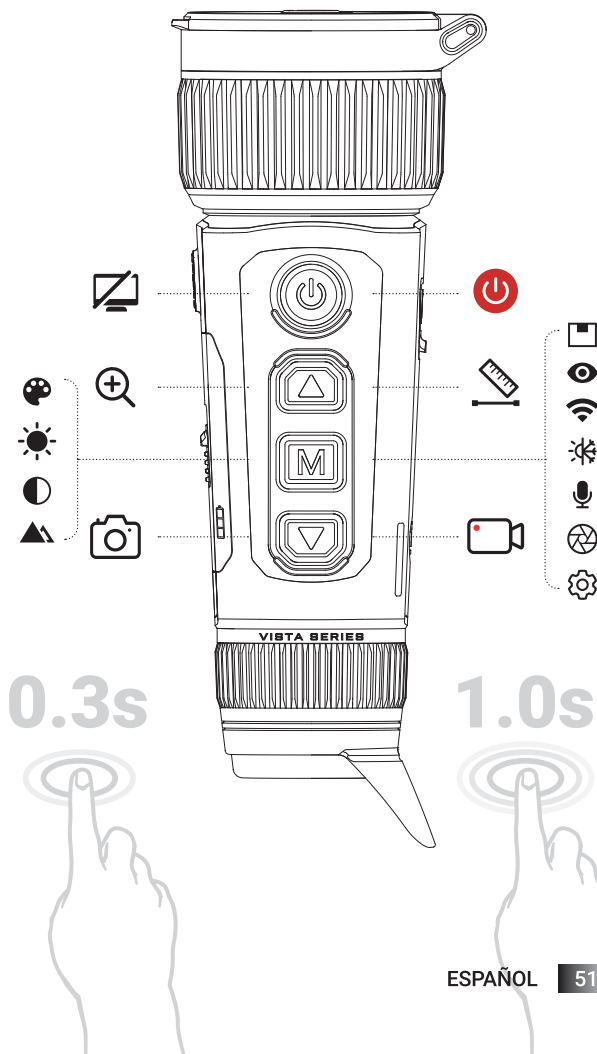


# Instalación de la batería



# Descripciones de botones

VISTA H35R/VISTA H50R

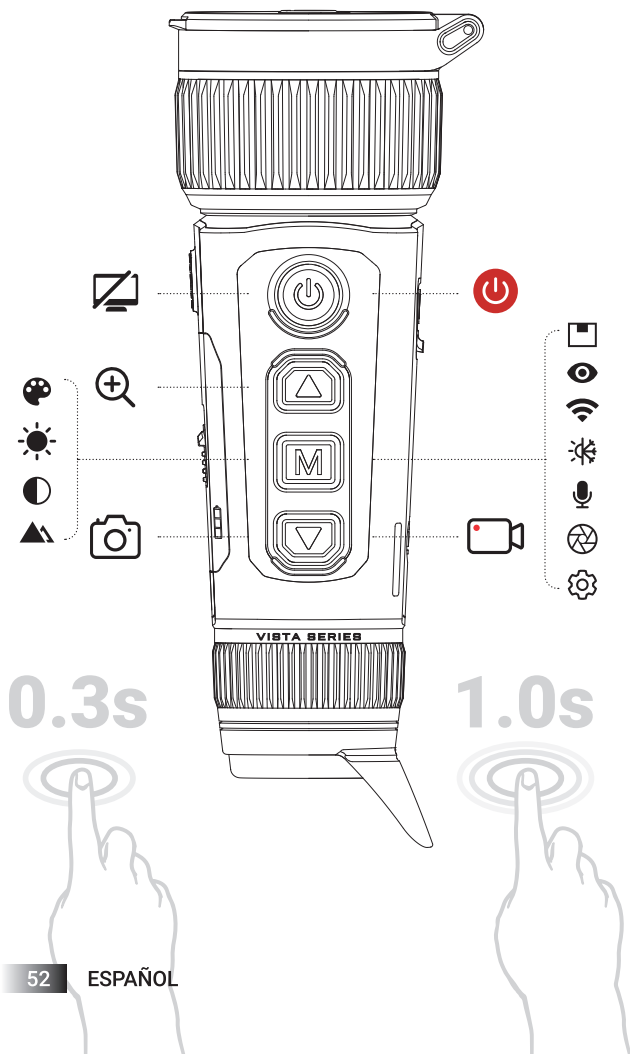


0.3s

1.0s

# Descripciones de botones

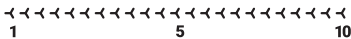
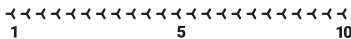
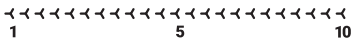
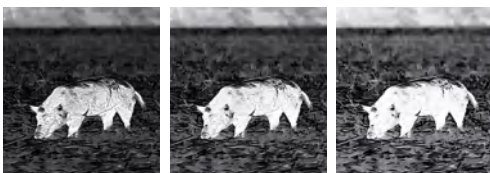
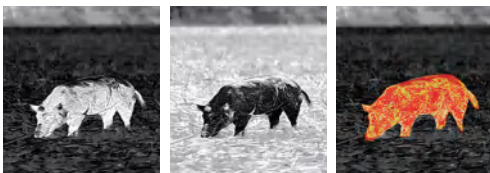
VISTA H35/VISTA H50



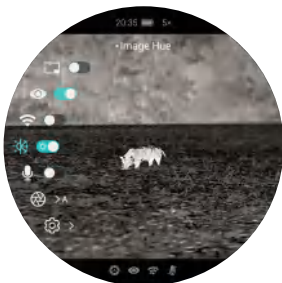
# Descripciones de botones



# Menú breve



# Menú principal

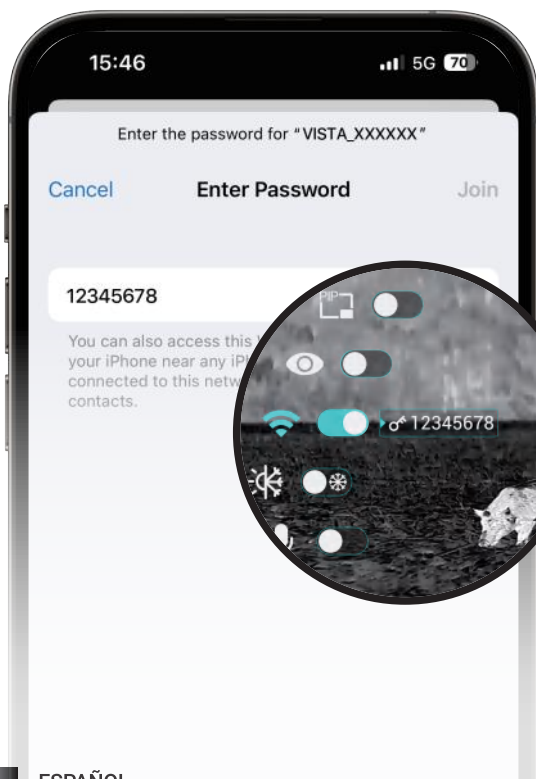


Mostrar



Ocultar

# | App



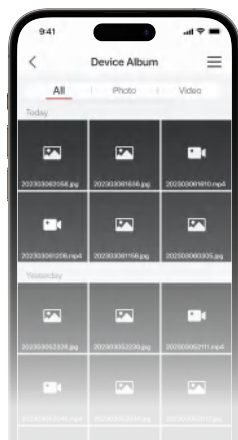




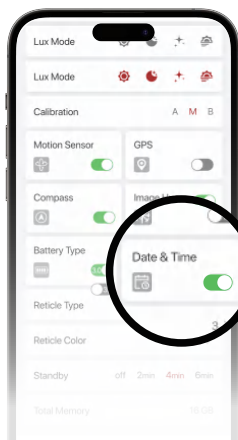
Actualización  
de firmware



Transmisión de imágenes  
en tiempo real



Archivo de  
dispositivo



Calibración de  
fecha y hora

# Especificaciones

Modelo	VISTA H35	VISTA H50
Sensor termal, Pixels	640×512,12μm	
NETD, mK	≤15	
Velocidad de fotogramas, Hz	60	
Lente Objetiva, mm	35 F0.9	50 F0.9
Campo de visión, °/m a 100 m	12.5×10.0/ 22×18	8.8×7.0/ 15×12
Magnificación, x	3~28	4~40
Rango de detección, m(Tamaño objetivo: 1.7m x 0,5 m,P(n)=99%)	1800	2600
Alivio ocular, mm	25	
Diámetro de la pupila de salida, mm	8	
Dioptrias, D	-4 ~ +6	
Pantalla	AMOLED 2560×2560	
Batería	Paquete de baterías de iones de litio reemplazables IBP-7/4400 mAh	
Vida útil máxima de labatera (t =22°C), h	5.5	
micrófono	Soporte	
Cantidad de memoria incorporada, GB	64	
Clasificación IP	IP67	
temperatura defuncionamiento. °C	-20 ~ +50	
Peso, g (con batería)	600	630
Dimensión, mm	184×61×71	190×67×79

<b>Modelo</b>	<b>VISTA H35R</b>	<b>VISTA H50R</b>
Sensor termal, Pixels	640×512,12µm	
NETD, mK	≤15	
Velocidad de fotogramas, Hz	60	
Lente Objetiva, mm	35 F0.9	50 F0.9
Campo de visión, °/m a 100 m	12.5×10.0/ 22×18	8.8×7.0/ 15×12
Magnificación, x	3~28	4~40
Rango de detección, m(Tamaño objetivo: 1.7m x 0,5 m,P(n)=99%)	1800	2600
Alivio ocular, mm	25	
Diámetro de la pupila de salida, mm	8	
Dioptrías, D	-4 ~ +6	
Pantalla	AMOLED 2560×2560	
Batería	Paquete de baterías de iones de litio reemplazables IBP-7/4400 mAh	
Vida útil máxima de labatera (t =22°C), h	5.5	
Clase de seguridad para láser.	Class 1	
Distancia máxima del telémetro, m	1200	
micrófono	Soporte	
Cantidad de memoria incorporada, GB	64	
Clasificación IP	IP67	
temperatura defuncionamiento. °C	-20 ~ +50	
Peso, g (con batería)	640	650
Dimensión, mm	190×67×79	194×70×82

## Obtener mas informacion



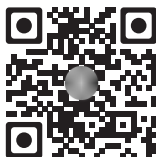
Sitio web:  
[www.nocpix.com](http://www.nocpix.com)



Manual de usuario



Facebook



Instagram



YouTube





**Inlumen Technologies Co., Ltd.**

**Email:** [service@nocpix.com](mailto:service@nocpix.com)

**Web:** [www.nocpix.com](http://www.nocpix.com)

**Add.:** North 6F, Building B3, Hefei Software Park, No.800 Wangjiang West Road, Hefei National High-tech Industry Development District, Anhui, China.